

LACURA

Beauty®

FACIAL HAIR REMOVER

GENTLE ON SKIN



User guide

AP210363-F | 08/2025



V1.0

Safety Instructions

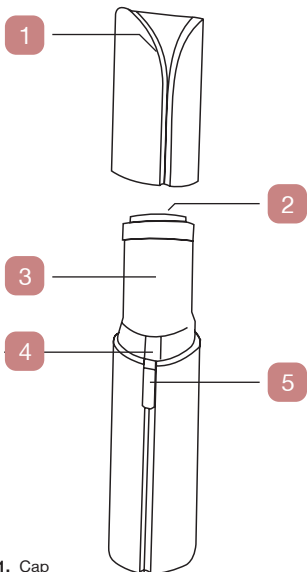
To ensure proper operation of this device, please read this user guide carefully before using the device and keep it for further reference.

- Read this manual thoroughly before first use and keep it in a safe place for future reference, along with purchase receipt and packaging. The safety precautions enclosed herein reduce the risk of fire, electric shock and injury when correctly adhered to.
- This product is intended for indoor domestic use and is not intended for commercial, trade or industrial applications.
- This appliance is not intended for use by persons (including children) with reduced physical, sensory or mental capabilities, or lack of experience and knowledge, unless they have been given supervision or instruction concerning use of the appliance by a person responsible for their safety. Children should be supervised to ensure that they do not play with the appliance. Always read all instructions before using the appliance.
- Do not operate with aerosol spray products or where oxygen is being administered.
- Only for use on facial hair.
- Do not use if there is any damage to the blades as it may cause injury.
- Do not insert any object into any opening in the appliance.
- Do NOT use the appliance in the shower.
- Do not use in dusty conditions.
- Do not place or store the appliance where it can fall or be pulled into a sink or bath.
- Do not drop the appliance. Dropping or rough use of the unit may cause damage.
- Do not place near strong magnets or strong electric currents.
- Do not attempt to repair, open or alter any components of the appliance. In the

case of improper usage or if you have opened, altered and repaired the product yourself, all guarantees are void.

- The supplier does not accept responsibility for additional or consequential damage other than covered by legal product responsibility.
- Do not use the appliance for other than intended or specified purposes.
- The supplier is not responsible for the end use of this product including any improper use or when used for purposes that are not specified.
- Dispose of used batteries to local regulations properly.
- Do not expose the appliance or battery to excessive temperatures.
- Be aware of the risk of terminal of the battery operated appliance or battery being short circuited by metal objects.
- Do not expose battery to heat or fire. Avoid storage in direct sunlight.
- In the event of a battery leaking, do not allow the liquid to come in contact with skin or eyes. If contact has been made, wash the affect area with copious amounts of water and seek medical advice.
- Do not use on irritated skin. Discontinue use if skin irritation occurs.
- Exercise caution when using around eyes.
- Do not rinse trimmer head under water.
- Do not submerge unit under water.
- The battery should not be recharged.
- Make sure to insert the battery with the correct polarity.
- Please remove the exhausted batteries from the appliance and safely dispose.
- If the appliance is to be stored unused for a long period, the batteries should be removed.
- Never short-circuit the supply terminals of batteries.
- **WARNING:** Keep the appliance dry.
- For the types of battery, information about how to remove and insert the battery, please refer to the section "Installing the battery".

Parts List



1. Cap
2. Removable trimmer head
3. Battery compartment chamber
Rated voltage: 1.5V d.c.,
AA battery operated
4. LED light
5. On/off switch
6. User guide*
7. Activ Energy AA battery*
8. Cleaning brush*

*Not shown

Contents

Safety Instructions	3
Parts List	5
Getting Started	7
Installing the battery.....	7
Operation	8
Cleaning.....	9
Tips.....	9

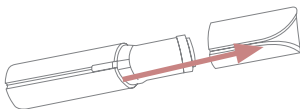
Getting Started

Remove any packaging material and labels before using your **LACURA Facial Hair Remover** for the first time.

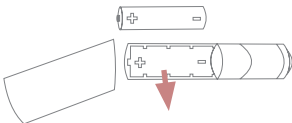
NOTE: Do not use the Facial Hair Remover if any part has been damaged.

Installing the battery

1. Remove the cap.



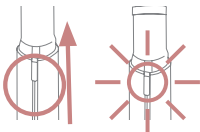
2. Grab the upper section of the unit with one hand, the bottom half with the other, and pull apart to reveal the battery chamber.



3. Place 1 AA battery into the compartment, making sure the positive pole (+) is facing the bottom of the unit.
4. Slide/snap the unit's bottom casing back into place.

Operation

1. Remove the cap.
2. Slide the switch located on the front of the unit upward into the “ON” position. The light will automatically turn on when the unit is “ON”.

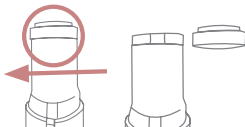


3. Gently press the head of the unit against your skin. The unit should not be on an angle. Proceed making small circular motions to remove unwanted hair.
4. Slide the switch located on the side of the unit downward to turn “OFF”.

NOTE: It is normal for the head to become warm with use.

Cleaning

1. Turn off the unit.
2. Twist the rotating hair removal head counter-clockwise and lift off.



3. After each use, clean the head using the cleaning brush (included) to wipe away the hair residue.

NOTE: Keep away from water. Do not rinse trimmer head or submerge unit under water.

4. Empty any hair from the body of the trimmer unit by turning it over and gently tapping the sides.
5. To put the hair removal head back on the unit, line up the “groove” indicators on the cap with those on the unit and twist clockwise.

Tips

- For superior results, use on hair ¼” in length or less.
- If the unit begins to slow down, clear the hair removal head and body of any hair residue. If the unit is still running slow change the battery.
- Gentle enough to use every day.

NOTE: Prior to first use, test the trimmer on a small area. If any sensitivity or allergic reactions occur, discontinue use immediately. Do not use your trimmer on sensitive or irritated skin.

LACURA

Beauty[®]