

**WORKZONE**®



## **2 OUTLET POWER CLAMP**

### MANUAL

#### **AFTER SALES SUPPORT**



AUS

1300 663 907



[customer care@winplus.com.au](mailto:customer care@winplus.com.au)

MODEL: DY114001, 01/14, 44515



**WORKZONE®**

**2 OUTLET POWER CLAMP**

## Warranty Details

---

The product is guaranteed to be free from defects in workmanship and parts for a period of 12 months from the date of purchase. Defects that occur within this warranty period, under normal use and care, will be repaired, replaced or refunded at our discretion. The benefits conferred by this warranty are in addition to all rights and remedies in respect of the product that the consumer has under the Competition and Consumer Act 2010 and similar state and territory laws.

Our goods come with guarantees that cannot be excluded under the Australian Consumer Law. You are entitled to a replacement or refund for a major failure and for compensation for any other reasonably foreseeable loss or damage. You are also entitled to have the goods repaired or replaced if the goods fail to be of acceptable quality and the failure does not amount to a major failure.





# Contents

---

- 1 Warranty
- 2 Contents
- 3 Welcome/ General Safety Instructions/ Technical Specifications
- 4 Product Overview/ Instructions
- 5 FAQ'S
- 6 Repair and Refurbished Goods or Parts Notice

## After Sales Support - Help Desk

**Telephone:** 1300 663 907  
**Email:** [customercare@winplus.com.au](mailto:customercare@winplus.com.au)



# Welcome

Congratulations on choosing to buy a WORKZONE® product. By doing so you now have the assurance and peace of mind that comes with purchasing a product made by one of the leading manufacturers. All products brought to you by WORKZONE® are manufactured to the highest standards of performance and safety and, as part of our philosophy of customer service and satisfaction, are backed by our comprehensive 1 year warranty. We hope you will enjoy using your purchase for many years to come.

## General Safety Instructions

Read this manual thoroughly before first use and keep it in a safe place for future reference, along with the warranty card, purchase receipt and carton. The safety precautions enclosed herein reduce the risk of fire, electric shock and injury when correctly adhered to. **Follow all instructions and take notice of all warnings to reduce the risk of fire or electric shock.**

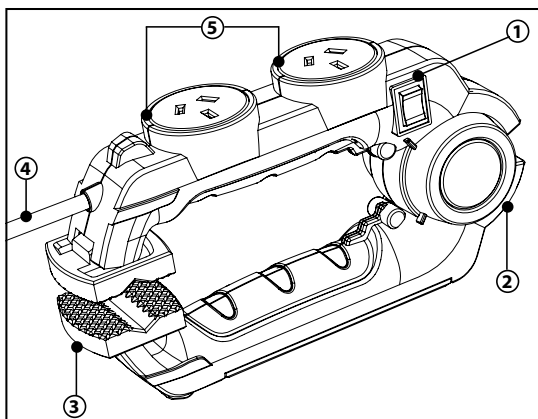
- Do not place extra strain on the clamping attachment; the clamp is not intended for weight bearing applications
- Maximum load 2400W (240V, 10A)
- There are no user serviceable parts inside – do not open product housing
- Always follow basic electrical safety precautions when using any electrical device
- Do not expose to water or other liquids. Do not use the 2 Outlet Power Clamp in the rain or allow any moisture in or near the product.

## Technical Specifications

Voltage:	240V AC 50Hz
Max Load:	2400W, 10 A
Lead Length:	5.0m
Number of Sockets:	2
Lead Cross Sectional Area:	1.0mm <sup>2</sup>
Spring-Loaded Manual Clamp	

# Product Overview

1. Master On/Off Switch
2. Clamp Hinge
3. Rubberised Clamp Pads
4. 5m Lead
5. Wide Spaced Outlets



## Instructions

1. **Uncoil lead fully before use**
2. **Plug into 240V power outlet**
3. **Open the spring loaded clamp, and grip onto location as required**
4. **Before use, gently pull on the power clamp to test the strength of the attachment**
5. **Insert plugs and power adaptors into the sockets**
6. **Master switch located on the arm of the clamp will turn all outlets on/off**
7. **Switch the master switch off when not in use and unplug from the wall**



### After Sales Support - Help Desk

Telephone: 1300 663 907  
Email: [customercare@winplus.com.au](mailto:customercare@winplus.com.au)

# FAQ'S

Questions	Answers
Is this product compatible with 15A sockets?	No. The maximum current of 10A applies to this product. This current output applies to most household electrical items.
Can I hang power tools from the clamp while plugged in?	No. The Power Clamp is not intended for weight bearing applications
I have plugged the clamp into the power outlet and it is not turning on.	Check the master switch is on (light will glow) and the power outlet in the wall is also switched on.
What are wide spaced outlets?	Wide spaced outlets allow you to use larger power sockets without blocking the others on the power board. This ensures you can have up to 2 sockets connected at one time.



## **2 OUTLET POWER CLAMP**

# **Repair and Refurbished Goods or Parts Notice**

Unfortunately, from time to time, faulty products are manufactured which need to be returned to the Supplier for repair.

Please be aware that if your product is capable of retaining user-generated data (such as files stored on a computer hard drive, telephone numbers stored on a mobile telephone, songs stored on a portable media player, games saved on a games console or files stored on a USB memory stick) during the process of repair, some or all of your stored data may be lost. We recommend you save this data elsewhere prior to sending the product for repair.

You should also be aware that rather than repairing goods, we may replace them with refurbished goods of the same type or use refurbished parts in the repair process.

Please be assured though, refurbished parts or replacements are only used where they meet ALDI's stringent quality specifications.

If at any time you feel your repair is being handled unsatisfactorily, you may escalate your complaint. Please telephone us on 1300 663 907 or write to us at:

WINPLUS AUSTRALASIA  
PO BOX 537  
BAYSWATER BUSINESS CENTRE VIC 3153  
WINPLUS HELP DESK: 1300 663 907  
EMAIL: [customercare@winplus.com.au](mailto:customercare@winplus.com.au)

### **After Sales Support - Help Desk**

**Telephone:** 1300 663 907  
**Email:** [customercare@winplus.com.au](mailto:customercare@winplus.com.au)

