



**BAUHN**<sup>®</sup>  
EFFORTLESS TECHNOLOGY



## Wall Mounted Home Theatre Shelves

**Model Number: HE314052D**

**INSTRUCTION MANUAL**

After Sales Support - Help Desk

Telephone: 1300 663 907  
Internet: [www.winplus.com.au](http://www.winplus.com.au)





**BAUHN**<sup>®</sup>  
EFFORTLESS TECHNOLOGY

## Wall Mounted Home Theatre Shelves



# Warranty Details


The product is guaranteed to be free from defects in workmanship and parts for a period of 12 months from the date of purchase. Defects that occur within this warranty period, under normal use and care, will be repaired, replaced or refunded at our discretion.

The benefits conferred by this warranty are in addition to all rights and remedies in respect of the product that the consumer has under the Competition and Consumer Act 2010 and similar state and territory laws.

Our goods come with guarantees that cannot be excluded under the Australian Consumer Law. You are entitled to a replacement or refund for a major failure and for compensation for any other reasonably foreseeable loss or damage. You are also entitled to have the goods repaired or replaced if the goods fail to be of acceptable quality and the failure does not amount to a major failure.

#### AFTER SALES SUPPORT

  1300 663 907

 [customercare@winplus.com.au](mailto:customercare@winplus.com.au)

MODEL: HE314052D PRODUCT CODE: 46432 08/2014






# Contents

Warranty	2
Contents	3
Welcome / General Safety Instructions	4
Product Features / Parts List / Installation Tips	5
Installation	6-10
Mounting Bracket to your Wall- Concrete Mounting	6
Mounting Bracket to your Wall- Timber Mounting	7
Attaching the Shelves	8
Attach the Shelves to the Bracket	8
Attach Glass Shelves	9
Repair & Refurbished Notice	11

## After Sales Support

 1300 663 907

 [customercare@winplus.com.au](mailto:customercare@winplus.com.au)

Model Number HE314052D



# Welcome


Congratulations on choosing to buy a BAUHN® product. By doing so you now have the assurance and peace of mind that comes with purchasing a product made by one of the leading manufacturers. All products brought to you by BAUHN® are manufactured to the highest standards of performance and safety and, as part of our philosophy of customer service and satisfaction, are backed by our comprehensive 1 Year Warranty. We hope you will enjoy using your purchase for many years to come.

## General Safety Instructions

Winplus Australasia is not responsible for any injuries or problems that may occur when installing your product. Please take proper safety precautions when installing and take note of all warnings contained within the manual. Improper use or installation may cause damage or serious injury.

Check carefully to ensure that you have all parts included in the product and there are no defective parts. Never use parts or products that are defective in some way. Should you have any questions about any of the pack contents, contact After Sales Support for assistance.

### After Sales Support

 1300 663 907

 [customercare@winplus.com.au](mailto:customercare@winplus.com.au)

Model Number HE314052D

4



# Product Features

- 2 Wall Mounted Shelves
- Holds up to 10kg per shelf
- Built-in cable management
- Glass shelves
- Simple installation

# Parts List

- 2 x M6 Masonry Anchors (A)
- 2 x M6 Square Head Screws (B)
- 8 x Glass Shelf Rubber Feet (C)
- 4 x Shelf Plate Screws (M5x12mm) (D)
- 6 x Glass Plate Screws (M5x8mm) (E)
- 2 x Glass Shelves (F)
- 2 x Plastic Bracket End Caps (G)
- 2 x Shelf Mounts (H)
- 2 x Shelf Clamps (I)
- 1 x Wall Bracket (J)
- 2 x Shelf Mount Accessories (K)

# Installation Tips

## **IMPORTANT!**

1. This product must be mounted to solid brick, concrete or solid timber.
2. If mounting to timber studs consult a professional for advice.
3. This product is not designed to mount to plasterboard or other hollow walls.
4. Ensure the wall you are using for mounting is structurally sound and secure. It must be able to support the weight of the mount and the AV accessories you intend to place on the shelves.

## **After Sales Support**



1300 663 907



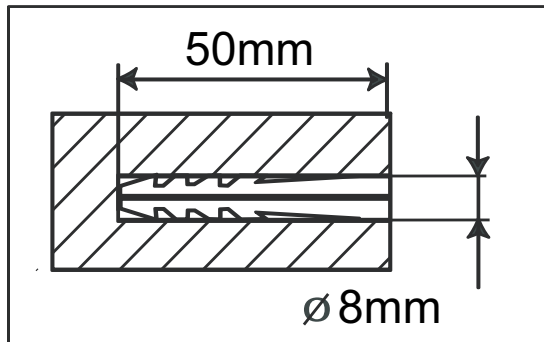
customercare@winplus.com.au

Model Number HE314052D

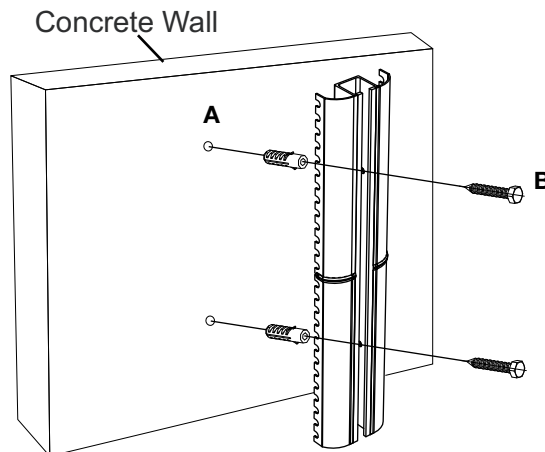


# Mounting the Bracket to Your Wall- Concrete or Brick Mounting

1. Select the area you wish to mount your Wall Mounted Home Theatre Shelves.
2. Carefully measure and mark the area for your 3 x screw holes. Ensure the mount is straight before proceeding.
3. Drill pilot holes into the concrete using a 8mm masonry drill bit following the below diagram.



4. Insert the masonry anchor (A) and attach the mount to your concrete wall using the supplied square head screws (B) as shown in the diagram below.



## After Sales Support

1300 663 907



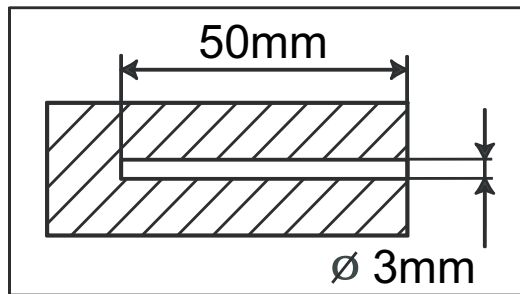
[customercare@winplus.com.au](mailto:customercare@winplus.com.au)

Model Number HE314052D

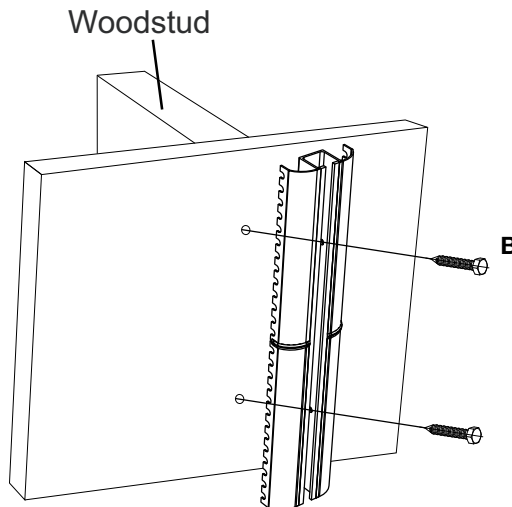


# Mounting the Bracket to Your Wall-Timber Stud Mounting


1. Select the area you wish to mount your Wall Mounted Home Theatre Shelves.
2. Carefully measure and mark the area for your 3 x screw holes. Ensure the mount is straight before proceeding.
3. Drill pilot holes into the timber using a 3mm timber drill bit following the below diagram.



4. Attach the mount to your timber wall using the supplied square head screws (B) as shown in the diagram below.



## After Sales Support

 1300 663 907

 [customercare@winplus.com.au](mailto:customercare@winplus.com.au)

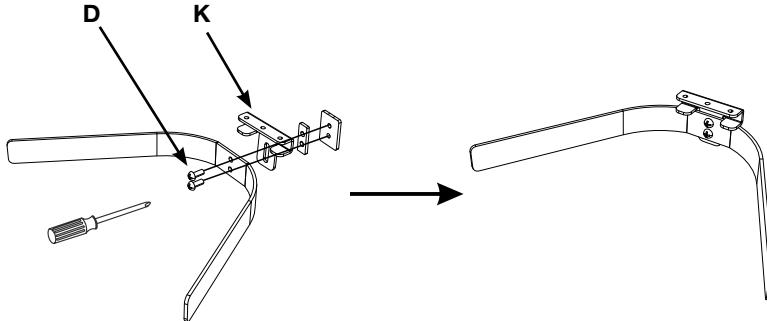
Model Number HE314052D

7



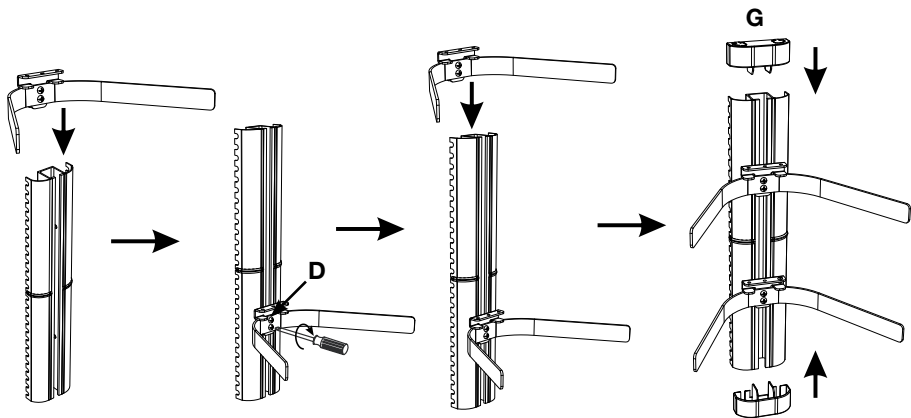
# Attaching the Shelves

1. Construct the shelf brackets as shown below. Ensure the screws are secure.



# Attach the Shelves to the Bracket

1. Slide the shelf bracket down the wall bracket as shown.
2. Align the shelf bracket to the holes on the wall bracket. Tighten the shelf screws (D) to attach the shelf bracket to the wall bracket.
3. Repeat step 1 & 2 with the second shelf bracket.
4. Attach the plastic end caps (G) to each end of the wall bracket.



## After Sales Support

1300 663 907



customercare@winplus.com.au

Model Number HE314052D

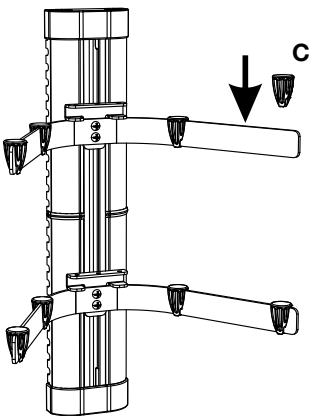
8



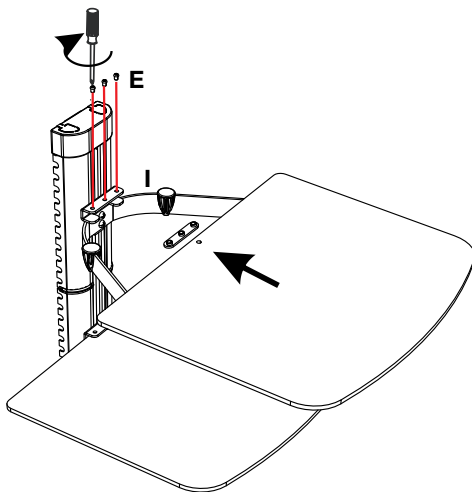


# Attach Glass Shelves


1. Attached the glass shelf rubber feet (C) as shown below.



2. Fix the glass shelves to the shelf bracket using the glass plate screws (E) and the shelf clamps (I).



## After Sales Support

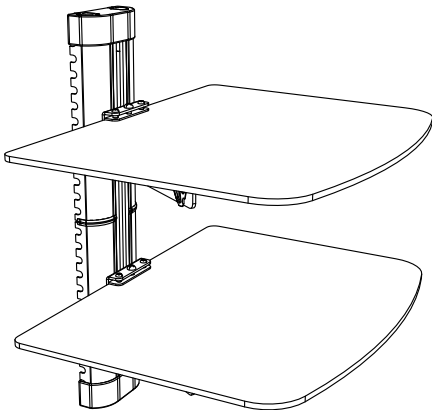
 1300 663 907

 [customercare@winplus.com.au](mailto:customercare@winplus.com.au)

Model Number HE314052D




3. Repeat the above steps with the second glass shelf. Ensure the screws are tightened sufficiently.



4. Congratulations your Wall Mounted Home Theatre Shelves are ready to use.

#### After Sales Support

 1300 663 907

 [customercare@winplus.com.au](mailto:customercare@winplus.com.au)

Model Number HE314052D

10



**BAUHN**<sup>®</sup>  
EFFORTLESS TECHNOLOGY

**Wall Mounted Home Theatre Shelves**

# Repair and Refurbished Goods or Parts Notice

Unfortunately, from time to time, faulty products are manufactured which need to be returned to the Supplier for repair.

Please be aware that if your product is capable of retaining user-generated data (such as files stored on a computer hard drive, telephone numbers stored on a mobile telephone, songs stored on a portable media player, games saved on a games console or files stored on a USB memory stick) during the process of repair, some or all of your stored data may be lost.

**We recommend you save this data elsewhere prior to sending the product for repair.**

You should also be aware that rather than repairing goods, we may replace them with refurbished goods of the same type or use refurbished parts in the repair process.

**Please be assured though, refurbished parts or replacements are only used where they meet ALDI's stringent quality specifications.**

If at any time you feel your repair is being handled unsatisfactorily, you may escalate your complaint. Please telephone us on 1300 663 907 or write to us at:



Winplus Australasia  
PO BOX 537  
Bayswater Business Centre  
Bayswater, VIC 3153

Winplus Help Desk 1300 663 907  
(Operating Hours: Mon-Fri 08:30AM to 6:00PM)

customercare@winplus.com.au  
www.winplus.com.au

---

**AFTER SALES SUPPORT**

  1300 663 907

 [customercare@winplus.com.au](mailto:customercare@winplus.com.au)

MODEL: HE314052D PRODUCT CODE: 46432 08/2014





**BAUHN**<sup>®</sup>  
EFFORTLESS TECHNOLOGY

