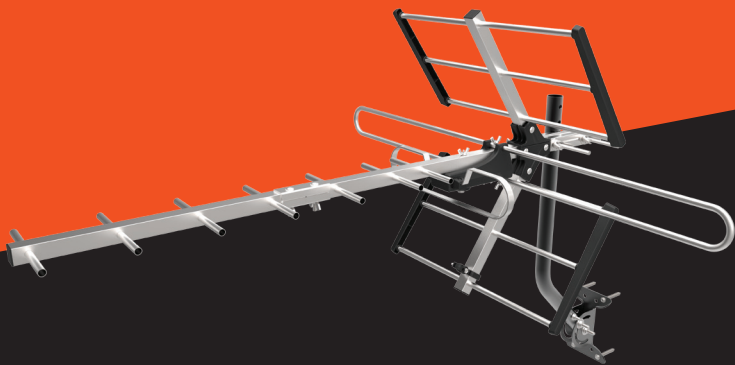


COCOON™

OUTDOOR ANTENNA KIT



Model Number: HE170351

INSTRUCTION MANUAL

VERSION 1.0





COCOON™

OUTDOOR ANTENNA KIT

Warranty Details

REGISTER YOUR PURCHASE AT www.aldi.com.au/en/about-aldi/product-registration/ TO KEEP UP-TO-DATE WITH IMPORTANT PRODUCT INFORMATION

The product is guaranteed to be free from defects in workmanship and parts for a period of 12 months from the date of purchase. Defects that occur within this warranty period, under normal use and care, will be repaired, replaced or refunded at our discretion. The benefits conferred by this warranty are in addition to all rights and remedies in respect of the product that the consumer has under the Competition and Consumer Act 2010 and similar state and territory laws.

Our goods come with guarantees that cannot be excluded under the Australian Consumer Law. You are entitled to a replacement or refund for a major failure and for compensation for any other reasonably foreseeable loss or damage. You are also entitled to have the goods repaired or replaced if the goods fail to be of acceptable quality and the failure does not amount to a major failure.

AFTER SALES SUPPORT

  1300 663 907

 customercare@winplus.com.au

MODEL: HE170351 PRODUCT CODE: 45676 07/2019



Contents

Warranty Details	3
Welcome	5
Warnings	5
Product Features	6
Parts List	6
Technical Specifications	7
Installation Tips	7
Instructions	8
1.1 Connect Antenna Elements	8
1.2 Mounting Antenna	9
1.2.1 Timber Mounting	9
1.2.2 Masonry Mounting	9
1.3 Plugging in the Antenna Cable	11
1.4 Running the Antenna to your TV	11
Frequently Asked Questions	12
Repair and Refurbished Goods or Parts Notice	14

Welcome

Congratulations on choosing to buy a Cocoon™ product. By doing so you now have the assurance and peace of mind that comes with purchasing a product made by one of the leading manufacturers. All products brought to you by Cocoon™ are manufactured to the highest standards of performance and safety and, as part of our philosophy of customer service and satisfaction, are backed by our comprehensive 1 Year Warranty. We hope you will enjoy using your purchase for many years to come.

Warnings

Winplus Australasia is not responsible for any injuries or problems that may occur when installing an antenna. Please take proper safety precautions if you decide to install your antenna in a potentially dangerous or high risk location. If you are unsure or uncomfortable with any steps of the installation process, contact a professional installer to assist you.

1. Always observe maximum weight capacity on your ladder when working at height
2. Never attempt installation in wet, windy, stormy or snowy weather
3. Never install your antenna close to electrical wires
4. Never overextend yourself while installing your antenna kit as this may cause you to fall
5. Check with a professional installer if you are unsure or uncomfortable with any step of the installation process
6. Avoid running the antenna cable near other electrical or audio-visual cables as this can cause interference

Product Features

- Receives HD and digital TV signals, local VHF and UHF signals
- Reflector Panels provide excellent resistance to interference
- F-type connection makes signal transmission more effective
- Mount to fascia boards, rooftops, walls and chimneys
- J Pole with mounting bracket included
- Durable elements are rustproof and water resistant
- Suitable for almost all metro and rural installations in Australia



Parts List

- 1 x Outdoor Antenna
- 1 x 12m F-Type Antenna Cable
- 1 x J Pole with mounting bracket and 2 bolts
- 1 x Mounting accessories
- 1 x Instruction Manual
- 1 x Warranty Card

Technical Specifications

- **Frequency:** VHF (174-230MHz), UHF (470-860MHz)
- **Gain:** VHF: Up to 0dBi, UHF: Up to 5.5dBi
- **Polarization:** Horizontal
- **Impedance:** 75Ω
- **Connector:** F-connector
- **Cable:** 12m coaxial cable 3C-2V 75Ω
- **J-Pole dimensions:** 472 x 144.08mm

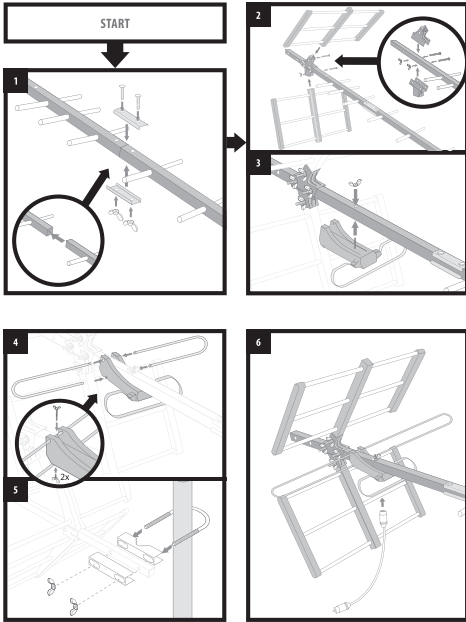
Installation Tips

1. When installing, take note of the direction of your nearby antennas. You can get a good idea of the best direction to face your antenna by looking at those around you.
2. If you are replacing an already mounted antenna, take note of the height and direction of the old antenna to get a good idea of where to start.
3. Before permanently installing your antenna, you should always check the quality of the reception on your TV.
4. The mounting pole will give you an additional ~400mm of height when mounted on the bracket. You should note the height of your other antennas nearby to ensure that the ~400mm height allowed by the Cocoon Outdoor Antenna Kit is sufficient.
5. The Cocoon Outdoor Antenna Kit comes with a 12m coaxial cable with an F-Type connector. This is a standard antenna cable. If you require additional cable length, you should contact your local electrical supplier.
6. The behaviour of your antenna can be affected by nearby large metallic objects, such as air conditioning units. Identify these objects in your installation situation and install the antenna away from these objects.
7. If you live in a very low lying area or if there is a large obstruction between your installation point and the broadcast location, you may receive little or no signal at all.

Instructions

1.1 Connect Antenna Elements

1. Attach the antenna elements to the main body by inserting each element as indicated in the diagrams, then securing with the small screws/wing nuts supplied in the pack.
2. Follow each step in order to make assembly easier.
3. Once the antenna elements have all been attached, your antenna is ready for mounting.



Instructions

1.2 Mounting Antenna

The Cocoon Outdoor Antenna Kit includes everything you need to mount your antenna on your home or other outdoor location (except a drill). Included with the kit are masonry anchors and timber screws. Refer to section **Installation Tips** on **page 7** for antenna installation advice. Consult a professional if you are unsure or unclear on any steps.

1. Select the location you wish to mount the antenna using the included faceplate
NOTE: It is recommended you check the reception using your TV before you mount the antenna permanently. Ensure the 12m cable will reach your TV from where you the mount the antenna.

1.2.1 Timber Mounting

Included with the kit are 4 wood screws.

- a. Hold the faceplate against the timber then mark the area with a pencil to note the location of the mounting holes.
- b. Drill pilot holes using a timber drill bit (~ 3mm) to assist in mounting.
- c. Place the faceplate against the timber.
- d. Insert the wood screws through the holes in the faceplate, lined up against the pilot holes you have drilled.
- e. Tighten the timber screws to hold the faceplate securely.

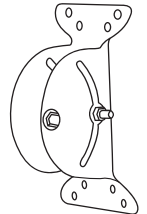
1.2.2 Masonry Mounting

Included with the kit are 4 masonry anchors.

- a. Hold the faceplate against the masonry then mark the area with a pencil to note the location of the mounting holes.
 - b. You will need to drill a hole into the masonry using a masonry drill bit. The hole must be able to fit in the masonry anchor, but be no wider, to allow the anchor to take hold inside the hole.
 - c. Place the faceplate against the masonry.
 - d. Insert the anchors through the holes in the faceplate, into the holes you have drilled.
 - e. Use a 10mm socket wrench to tighten the anchors, securing the faceplate.
2. Insert the mounting pole into the faceplate, then insert screws through the pivot hole and the variable adjustment slot. Tighten these screws to securely attach the mounting pole to the mounting plate.

NOTE: You can mount the mounting pole by attaching the longer or shorter end to the mounting bracket. Choose the best method of installation for your antenna scenario.

TIP: Confirm the correct angle of the mount before tightening the mounting screws. Loosen the bolts/screws to adjust the angle of installation.



Instructions

COCOON



3. Check the mount is attached securely to your home before attaching the antenna.
4. Remove the wing nuts on the mounting attachment located on the main body of the antenna. This will allow you to insert the mounting pole through the U-Bolt as shown.



5. Tighten the bolts to secure the antenna in place. Ensure you tighten the wing nuts at the same rate to balance the mounting attachment.

Instructions

COCOON

1.3 Plugging in the Antenna Cable

The Cocoon Outdoor Antenna Kit includes a 12m F-Type Coaxial Cable. This is a common antenna cable and is suitable for most houses and installation scenarios. Should you require a longer cable, contact your local electrical/electronic supplier.

1. Connect the end of the antenna cable with the socket protector to the connection on the outdoor antenna. Take care not to bend or damage the pin in the centre of the cable.
2. Screw the connection firmly to the antenna and cover the cable with the socket protector. This will help protect the connection from the weather.

NOTE: When the antenna is mounted horizontally the connection should be underneath the antenna for better protection from weather.

1.4 Running the Antenna to your TV

1. The coaxial cable connection on the end of the antenna cable is a male PAL connection. This is a common antenna connector for most TVs and home theatre systems. Should you require an adaptor to connect to your device, contact your local electrical/electronic supplier.
2. Once the antenna has been mounted and the antenna cable has been connected to the antenna, you can connect the cable to your TV or home theatre system.
3. Run the cable to your TV or home theatre system.
4. Plug the male connection into the female connector on your TV or home theatre – this is usually found at the rear of your TV or amplifier.

NOTE: It is recommended you check the reception using your TV before you mount the antenna permanently. Ensure the 12m cable will reach your TV from where you mount the antenna.

Frequently Asked Questions

Question	Solution
I'm not receiving acceptable reception	<p>When installing, take note of the direction of your nearby antennas. You can get a good idea of the best direction to face your antenna by looking at those around you.</p> <p>If you are replacing an already mounted antenna, take note of the height and direction of the old antenna to get a good idea of where to start.</p>
My cable isn't long enough to reach my TV	<p>If you require additional cable length, contact your local electrical or electronics supplier. You require an F-Type coaxial cable with a male PAL connection.</p>
I can't get enough height to mount the antenna from my fascia	<p>The mounting pole can be used to give additional height or to extend the antenna further. Try assembling the mounting pole and faceplate in different combinations to suit your needs.</p>
Can I mount this antenna to my caravan?	<p>The mounting bracket included with this kit has been designed predominantly for homes and structural installation. The antenna can be used in any stationary outdoor application.</p> <p>If you wish to mount the antenna to your caravan, contact your caravan supplier for further information.</p>
Will this antenna receive digital TV?	<p>Yes, this antenna can receive all free to air channels that are available in your area. Depending on the reception provided by local broadcast towers, all channels may not be available in your region.</p>

Frequently Asked Questions

Can I install this antenna inside my roof?	<p>This is not recommended. You may receive poor reception as a result of interference.</p>
Which direction should the antenna face?	<p>You should face your antenna towards the nearest broadcast location. The smallest elements should face the broadcast tower</p>
My reception on my TV is fine, but it is fuzzy on a 2nd TV	<p>This may be due to poor installation or a wiring fault. It is recommended you contact a professional installer if you are experiencing any wiring or cable faults.</p>



COCOON™

OUTDOOR ANTENNA KIT

Repair and Refurbished Goods or Parts Notice

Unfortunately, from time to time, faulty products are manufactured which need to be returned to the Supplier for repair.

Please be aware that if your product is capable of retaining user-generated data (such as files stored on a computer hard drive, telephone numbers stored on a mobile telephone, songs stored on a portable media player, games saved on a games console or files stored on a USB memory stick) during the process of repair, some or all of your stored data may be lost.

We recommend you save this data elsewhere prior to sending the product for repair.

You should also be aware that rather than repairing goods, we may replace them with refurbished goods of the same type or use refurbished parts in the repair process.

Please be assured though, refurbished parts or replacements are only used where they meet ALDI's stringent quality specifications.

If at any time you feel your repair is being handled unsatisfactorily, you may escalate your complaint. Please telephone us on 1300 663 907 or write to us at:

Winplus Australasia

PO Box 537 Bayswater Business Centre, Victoria, Australia

1300 663 907 - Hours: Mon-Fri 8:30am - 6:00pm AEST

customercare@winplus.com.au

AFTER SALES SUPPORT

  1300 663 907

 customercare@winplus.com.au

MODEL: HE170351 PRODUCT CODE: 45676 07/2019



COCOON™