

# WORKZONE®



## 6 OUTLET WALL MOUNTED POWER BOARD WITH LED LIGHTS

### INSTRUCTION MANUAL

AFTER SALES SUPPORT



AUS 1300 663 907



[customercare@winplus.com.au](mailto:customercare@winplus.com.au)

MODEL: PB43655 PRODUCT CODE: 8944 06/2019



# Pack Contents

---

- 1x 6 Outlet Wall Mounted Power Board
- 1x Detachable Tool Holder
- 4x Wood Screws
- 5x Screws to attach Tool Holder
- 1x Mounting Template
- 1x Instruction Manual
- 1x Warranty Card

# Table of Contents

---

<b>4</b>	Product Overview
<b>5</b>	Warranty Details
<b>6</b>	Welcome
<b>7</b>	General Safety Instructions
<b>8</b>	Features / Technical Specifications
<b>9-12</b>	Instructions
<b>13</b>	FAQ'S
<b>14</b>	Maintenance & Disposal
<b>15</b>	Repair and Refurbished Goods or Parts Notice

Version 1.1

Product complies to:

- AS/NZS CISPR 15:2011
- AS/NZS 3105:2014
- AS/NZS 60598.1:2013
- AS/NZS 60598.2.4:2005 Inc A1
- AS/NZS 3112:2011 Inc A1-3
- AS/NZS 3133:2013 Inc A1-2
- AS/NZS 3100:2009 Inc A1-4

SAA-122268-EA

## After Sales Support

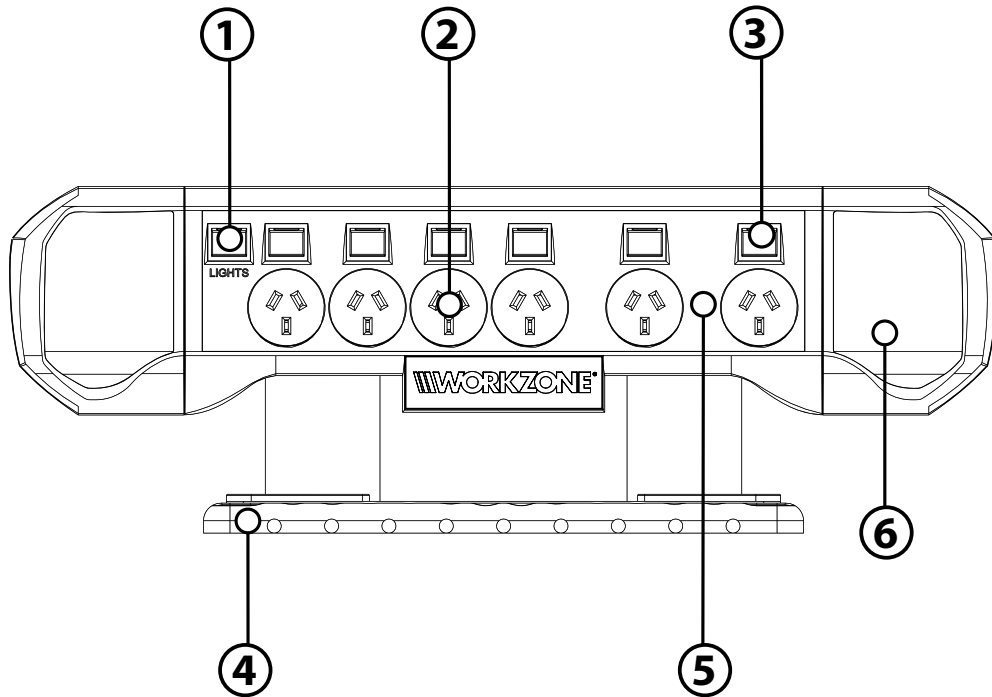
 1300 663 907  [customercare@winplus.com.au](mailto:customercare@winplus.com.au)

## After Sales Support

 1300 663 907  [customercare@winplus.com.au](mailto:customercare@winplus.com.au)

# Product Overview

1. Light switch
2. 4 x standard socket outlets
3. Illuminated power on/off switches
4. Tool holder for small tools
5. 2 x wide spaced outlets
6. LED work lights with 90° rotation



**WORKZONE®**

**WALL MOUNTED POWER BOARD WITH LED LIGHTS**

## Warranty Details

REGISTER YOUR PURCHASE AT [www.aldi.com.au/en/about-aldi/product-registration/](http://www.aldi.com.au/en/about-aldi/product-registration/) TO KEEP UP-TO-DATE WITH IMPORTANT PRODUCT INFORMATION

The product is guaranteed to be free from defects in workmanship and parts for a period of 12 months from the date of purchase. Defects that occur within this warranty period, under normal use and care, will be repaired, replaced or refunded at our discretion. The benefits conferred by this warranty are in addition to all rights and remedies in respect of the product that the consumer has under the Competition and Consumer Act 2010 and similar state and territory laws.

Our goods come with guarantees that cannot be excluded under the Australian Consumer Law. You are entitled to a replacement or refund for a major failure and for compensation for any other reasonably foreseeable loss or damage. You are also entitled to have the goods repaired or replaced if the goods fail to be of acceptable quality and the failure does not amount to a major failure.

### After Sales Support

AUS 1300 663 907

customercare@winplus.com.au

Model Number PB43655

4

### AFTER SALES SUPPORT

AUS 1300 663 907

customercare@winplus.com.au

MODEL: PB43655 PRODUCT CODE: 8944 06/2019

1

YEAR WARRANTY

# Welcome


Congratulations on choosing to buy a WORKZONE® product. By doing so you now have the assurance and peace of mind that comes with purchasing a product made by one of the leading manufacturers. All products brought to you by WORKZONE® are manufactured to the highest standards of performance and safety and, as part of our philosophy of customer service and satisfaction, are backed by our comprehensive 1 year warranty. We hope you will enjoy using your purchase for many years to come.

# General Safety Instructions

Read this manual thoroughly before first use and keep it in a safe place for future reference, along with the warranty card, purchase receipt and carton. The safety precautions enclosed herein reduce the risk of fire, electric shock and injury when correctly adhered to. **Follow all instructions and take notice of all warnings to reduce the risk of fire or electric shock.**

- Carefully follow all instructions for assembly and mounting. Test the strength of attachment to the wall before using the product.
- Do not place heavy tools on the tool holder. The tool holder is designed for small tools only.
- The wall mount power board contains no serviceable parts. Opening the product will void your warranty.
- Always exercise caution when operating any electrical device.
- Keep away from liquids, oils, petrol, and all chemicals.
- For indoor use only.
- Do not look directly into the LEDs when operating.
- Keep away from children.
- Do not use if power supply cable becomes damaged or broken.
- The external flexible cable or cord of this product cannot be replaced; if the cord is damaged, the product shall be destroyed.
- Long-life LED lights are not replaceable.
- Turn off when not in use.
- Supervise young children to ensure they do not play with the product.


## After Sales Support

 1300 663 907

 [customercare@winplus.com.au](mailto:customercare@winplus.com.au)

Model Number PB43655

## After Sales Support

 1300 663 907

 [customercare@winplus.com.au](mailto:customercare@winplus.com.au)

Model Number PB43655

# Features

- 4 x standard socket outlets
- 2 x wide spaced socket outlets
- Illuminated power on / off switches
- Powerful LED work lights
- Work lights with 90° rotation
- Wall mounting
- Detachable tool holder with 32 storage options for small tools
- Overload protection

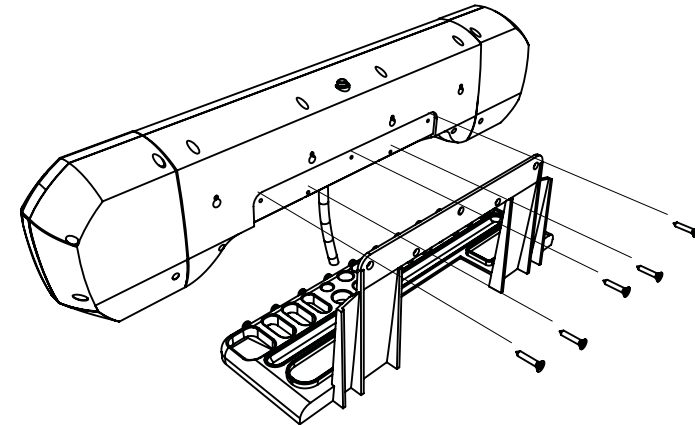
# Technical Specifications

Voltage:	10A, 240V AC 50Hz
Max Load:	2400W
Power Cord:	1.8m 1.0mm <sup>2</sup>
Tool holder:	Max weight 4kg
LED output:	720 Lumens total
Dimension:	563mmx130mmx63mm
Weight:	1011g incl cord and plug

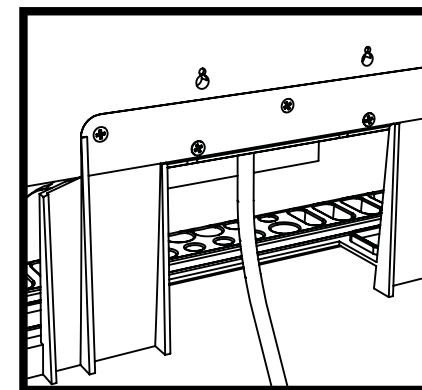
# Instructions

## Assemble the tool holder

1. Attach the tool holder to the power board using 5 screws provided



2. Thread the power cable behind the tool holder



## After Sales Support

AUS 1300 663 907



customercare@winplus.com.au

Model Number PB43655

8

## After Sales Support

AUS 1300 663 907



customercare@winplus.com.au

Model Number PB43655

9

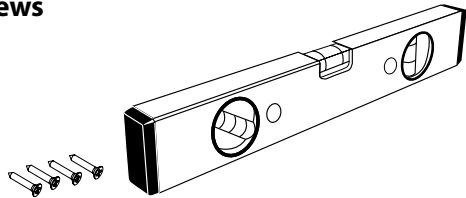
# Instructions

## Mounting

1. Find a suitable location to mount the power board. Use the included wood screws

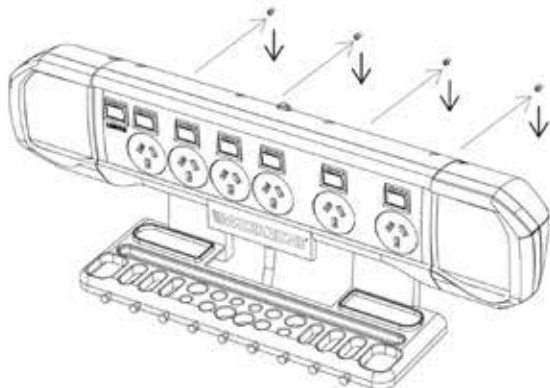
**Note:** Ensure the Wall Mount Power Board is being mounted close enough to utilise a suitable power point

2. Measure holes for 4 wood screws using a spirit level, with 100mm spacing. Alternatively, use the provided mounting template. Fit the supplied wood screws



**Note:** Mounting the powerboard onto plaster or masonry may require additional screws and components

3. Line up the mounting holes on the back of the power board and place on to the screws. Gently push down



After Sales Support

AUS 1300 663 907

customercare@winplus.com.au

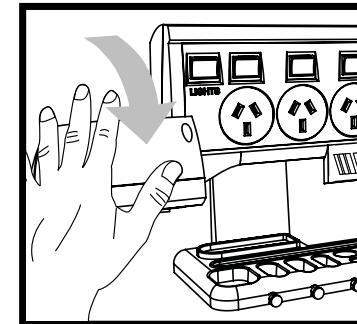
Model Number PB43655

10

# Instructions

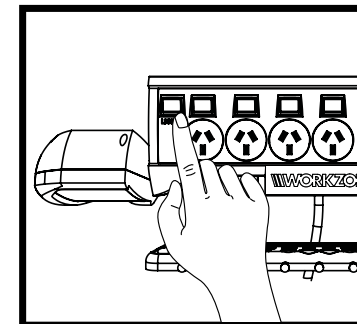
## Using the LED Work Lights

1. Use your hand to rotate the LED lights to the desired position



**Tip:** Attach the power board to the wall above your workbench, and position the lights to provide work lighting for small tasks

2. Switch the LED work lights on using the switch marked "LIGHTS"



After Sales Support

AUS 1300 663 907

customercare@winplus.com.au

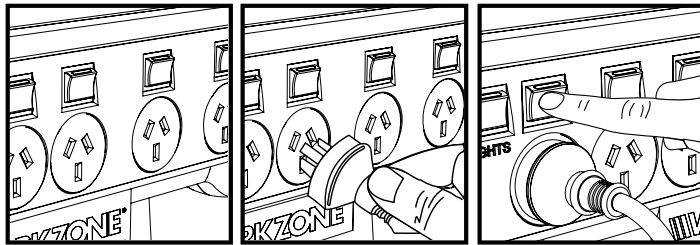
Model Number PB43655

11

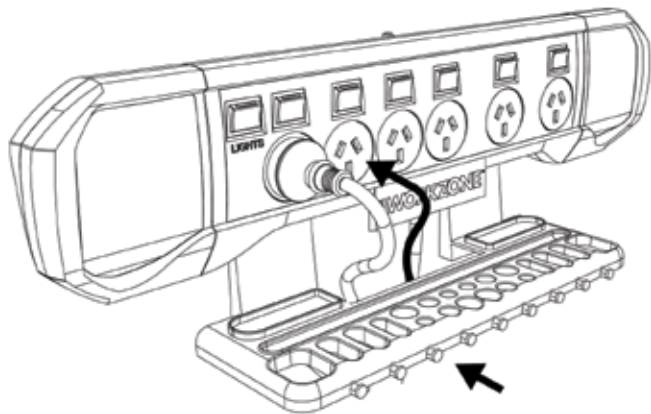
# Instructions

## Using the Power sockets

1. Ensure the switch above the socket is switched off
2. Plug in your device
3. Switch the socket on, using the switch above it
4. When you have finished using the appliance, switch the socket off



**Tip:** Keep your cables out of the way by threading them behind the tool holder



# FAQ'S

Questions	Answers
Is this product compatible with 15A sockets?	No. The maximum current of 10A applies to this product. This current output applies to most household electrical items.
What are wide spaced outlets?	Wide spaced outlets allow you to use larger power sockets without blocking the others on the power board. This ensures you can have up to 6 sockets connected at one time.
Can I plug the Wall Mounted Power Board into extension leads or other power boards?	No. The Wall Mounted Power Board should not be plugged into an extension lead or another power board.
Can I use the tool holder to carry heavy power or hand tools?	The tool holder is only designed to carry small tools – such as a screwdrivers etc. Please do not overload with excessive weight.
Can the Wall Mounted Power Board be mounted outdoors?	No. The Wall Mounted Power Board is for indoor use only. It should only be mounted in an area where it is protected from any moisture.
Can I replace the LED's?	No. The long-life LED's in this product are not replaceable.
How far can the LED lights be rotated?	The LED lights can be rotated up to 90° which can provide work lighting for small tasks.

# Maintenance & Disposal

## Cleaning

To clean the unit, ensure it is unplugged from power, and no devices are plugged in to it. Wipe the fascia down with a damp cloth and make sure it is completely dry before using again

## Disposal

At the end of its working life, do not throw this product out with your household rubbish. Electrical and electronic products contain substances that can have a detrimental effect on the environment and human health if disposed of inappropriately. Observe any local regulations regarding the disposal of electrical consumer goods and dispose of it appropriately for recycling. Contact your local authorities for advice on recycling facilities in your area.

Please keep the original packaging carton and materials in a safe place. It will help to prevent any damage if the product needs to be transported in the future. In the event it is to be disposed of, please recycle all packaging material where possible. If you require another copy of this instruction manual, please visit [www.winplus.com.au](http://www.winplus.com.au) to obtain an electronic copy.



**WORKZONE®**

**WALL MOUNTED POWER BOARD WITH LED LIGHTS**

# Repair and Refurbished Goods or Parts Notice

Unfortunately, from time to time, faulty products are manufactured which need to be returned to the Supplier for repair.

Please be aware that if your product is capable of retaining user-generated data (such as files stored on a computer hard drive, telephone numbers stored on a mobile telephone, songs stored on a portable media player, games saved on a games console or files stored on a USB memory stick) during the process of repair, some or all of your stored data may be lost.

**We recommend you save this data elsewhere prior to sending the product for repair.**

You should also be aware that rather than repairing goods, we may replace them with refurbished goods of the same type or use refurbished parts in the repair process.

**Please be assured though, refurbished parts or replacements are only used where they meet ALDI's stringent quality specifications.**

If at any time you feel your repair is being handled unsatisfactorily, you may escalate your complaint. Please telephone us on 1300 663 907 or write to us at:

Winplus Australasia

PO Box 537 Bayswater Business Centre, Victoria, Australia

1300 663 907 - Hours: Mon-Fri 8:30am - 6:00pm AEST

[customercare@winplus.com.au](mailto:customercare@winplus.com.au)

## After Sales Support

1300 663 907

[customercare@winplus.com.au](mailto:customercare@winplus.com.au)

Model Number PB43655

14

## AFTER SALES SUPPORT

1300 663 907

[customercare@winplus.com.au](mailto:customercare@winplus.com.au)

MODEL: PB43655 PRODUCT CODE: 8944 06/2019

1

YEAR WARRANTY



