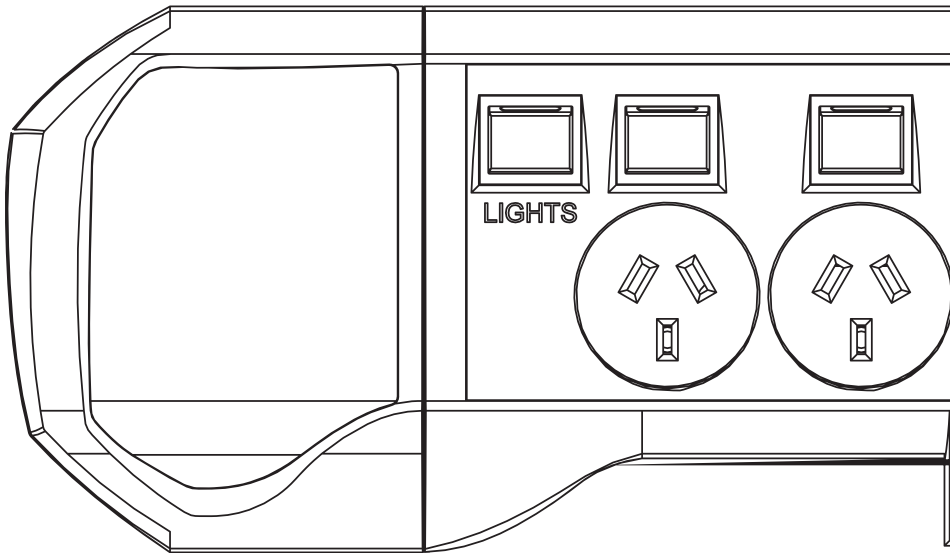


**BALCO™**

# **Workshop Power Station with LED Lights**

**DY200223**



# **Instruction Manual**



# Pack Contents

---

- 1x Workshop Power Station With LED Lights
- 1x Detachable Tool Holder
- 4x Wood Screws
- 5x Screws to attach Tool Holder
- 1x Mounting Template
- 1x Instruction Manual

## After Sales Support



1300 663 907



[customercare@balcobrands.com](mailto:customercare@balcobrands.com)

# Table of Contents

---

4	Product Overview
6	Welcome
7	General Safety Instructions
8	Features / Technical Specifications
9-12	Instructions
13	FAQ'S
14	Maintenance & Disposal



Version 1.0

Product complies to:

AS/NZS CISPR 15:2011  
AS/NZS 3105:2014+A1:2017  
AS/NZS 60598.1:2017  
AS/NZS 60598.2.4:2005 Inc A1  
AS/NZS 3112:2017  
AS/NZS 3133:2013 Inc A1-2  
AS/NZS 3100:2017

SAA-122268-EA

**After Sales Support**

  1300 663 907

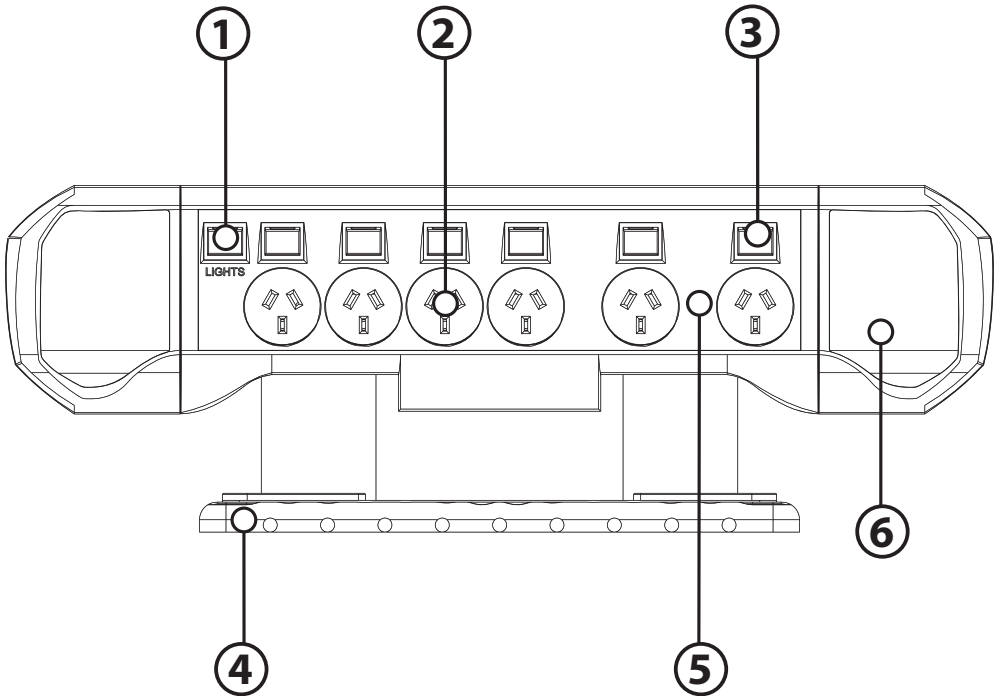


[customercare@balcobrands.com](mailto:customercare@balcobrands.com)

Model Number DY200223

# Product Overview

1. Light switch
2. 4 x standard socket outlets
3. Illuminated power on/off switches
4. Tool holder for small tools
5. 2 x wide spaced outlets
6. LED work lights with 90° rotation



## After Sales Support

AUS 1300 663 907



customercare@balcobrands.com

Model Number DY200223




# Welcome

---

Congratulations on choosing to buy a Balco product. By doing so you now have the assurance and peace of mind that comes with purchasing a product made by one of the leading manufacturers. All products brought to you by Balco are manufactured to the highest standards of performance and safety and, as part of our philosophy of customer service and satisfaction, are backed by our comprehensive 1 year warranty. We hope you will enjoy using your purchase for many years to come.

## After Sales Support

 1300 663 907

 [customercare@balcobrands.com](mailto:customercare@balcobrands.com)



Model Number DY200223

# General Safety Instructions

Read this manual thoroughly before first use and keep it in a safe place for future reference, along with the purchase receipt and carton. The safety precautions enclosed herein reduce the risk of fire, electric shock and injury when correctly adhered to. **Follow all instructions and take notice of all warnings to reduce the risk of fire or electric shock.**

- Carefully follow all instructions for assembly and mounting. Test the strength of attachment to the wall before using the product.
- Do not place heavy tools on the tool holder. The tool holder is designed for small tools only.
- The Workshop Power Station contains no serviceable parts. Opening the product will void your warranty.
- Always exercise caution when operating any electrical device.
- Keep away from liquids, oils, petrol, and all chemicals.
- For indoor use only.
- Do not look directly into the LEDs when operating.
- Keep away from children.
- Do not use if power supply cable becomes damaged or broken.
- The external flexible cable or cord of this product cannot be replaced; if the cord is damaged, the product shall be destroyed.
- Long-life LED lights are not replaceable.
- Turn off when not in use.
- Supervise young children to ensure they do not play with the product.
- The Workshop Power Station should not be plugged into an extension lead or another power board.

## After Sales Support

  1300 663 907

 [customercare@balcobrands.com](mailto:customercare@balcobrands.com)

Model Number DY200223

# Features

---



- 4 x standard socket outlets
- 2 x wide spaced socket outlets
- Illuminated power on / off switches
- Powerful LED work lights
- Work lights with 90° rotation
- Wall mounting
- Detachable tool holder with 32 storage options for small tools
- Overload protection

# Technical Specifications

---

Voltage:	10A, 240V AC 50Hz
Max Load:	2400W
Power Cord:	1.8m 1.0mm <sup>2</sup>
Tool holder:	Max weight 4kg
LED output:	720 Lumens total
Dimension:	563mmx130mmx63mm
Weight:	1011g incl cord and plug

## After Sales Support

  1300 663 907

 [customercare@balcobrands.com](mailto:customercare@balcobrands.com)

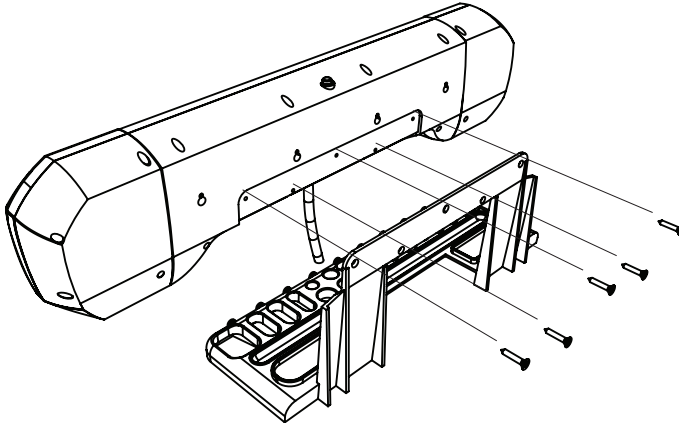
Model Number DY200223



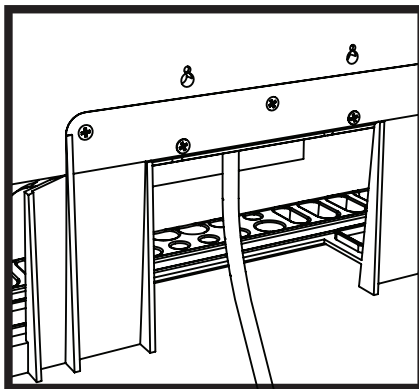
# Instructions

## Assemble the tool holder


1. Attach the tool holder to the power board using 5 screws provided



2. Thread the power cable behind the tool holder



After Sales Support

 1300 663 907

 [customercare@balcobrands.com](mailto:customercare@balcobrands.com)

Model Number DY200223

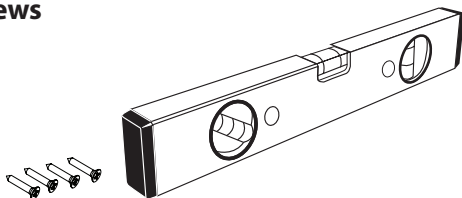
# Instructions

## Mounting

**1. Find a suitable location to mount the power board. Use the included wood screws**

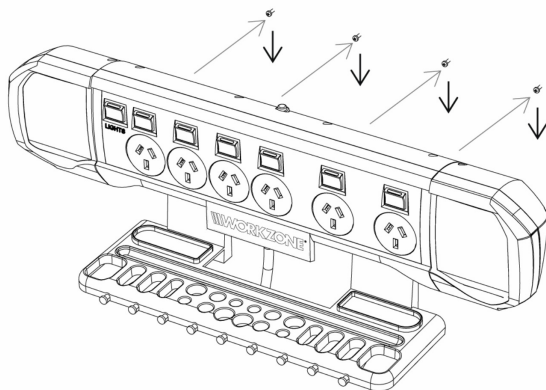
**Note:** Ensure the Workshop Power Station is being mounted close enough to utilise a suitable power point

**2. Measure holes for 4 wood screws using a spirit level, with 100mm spacing. Alternatively, use the provided mounting template. Fit the supplied wood screws**



**Note:** Mounting the powerboard onto plaster or masonry may require additional screws and components

**3. Line up the mounting holes on the back of the power board and place on to the screws. Gently push down**



After Sales Support

AUS 1300 663 907



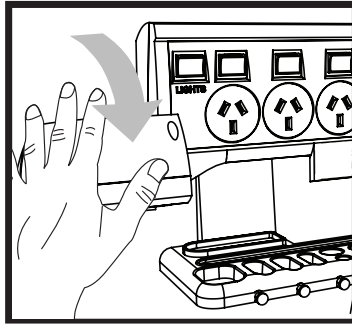
customercare@balcobrands.com

Model Number DY200223

# Instructions

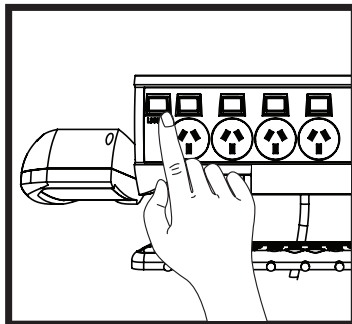
## Using the LED Lights

1. Use your hand to rotate the LED lights to the desired position



**Tip:** Attach the power board to the wall above your workbench, and position the lights to provide work lighting for small tasks

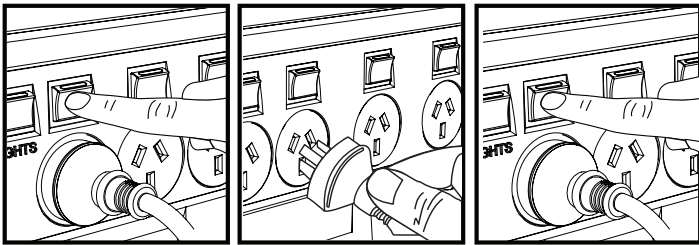
2. Switch the LED lights on using the switch marked "LIGHTS"



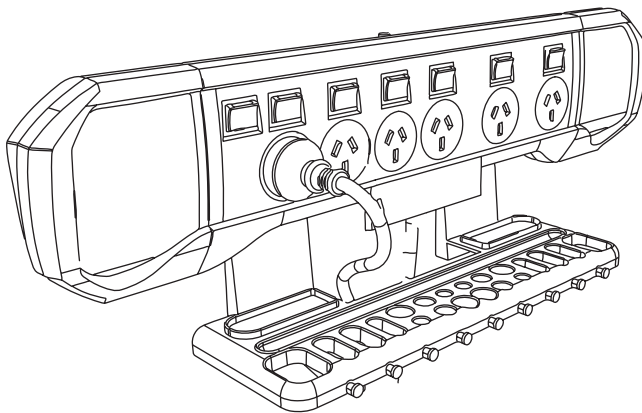
# Instructions

## *Using the Power sockets*

1. Ensure the switch above the socket is switched off
2. Plug in your device
3. Switch the socket on, using the switch above it
4. When you have finished using the appliance, switch the socket off



**Tip:** Keep your cables out of the way by threading them behind the tool holder



After Sales Support

AUS 1300 663 907





customercare@balcobrands.com

Model Number DY200223

# FAQ'S

Questions	Answers
Is this product compatible with 15A sockets?	No. The maximum current of 10A applies to this product. This current output applies to most household electrical items.
What are wide spaced outlets?	Wide spaced outlets allow you to use larger power sockets without blocking the others on the power board. This ensures you can have up to 6 sockets connected at one time.
Can I plug the Workshop Power Station into extension leads or other power boards?	No. The Workshop Power Station should not be plugged into an extension lead or another power board.
Can I use the tool holder to carry heavy power or hand tools?	The tool holder is only designed to carry small tools – such as a screwdrivers etc. Please do not overload with excessive weight.
Can the Workshop Power Station be mounted outdoors?	No. The Workshop Power Station is for indoor use only. It should only be mounted in an area where it is protected from any moisture.
Can I replace the LED's?	No. The long-life LED's in this product are not replaceable.
How far can the LED lights be rotated?	The LED lights can be rotated up to 90° which can provide work lighting for small tasks.

## After Sales Support

  1300 663 907



[customercare@balcobrands.com](mailto:customercare@balcobrands.com)

Model Number DY200223

# Maintenance & Disposal

---

## *Cleaning*

To clean the unit, ensure it is unplugged from power, and no devices are plugged in to it. Wipe the fascia down with a damp cloth and make sure it is completely dry before using again

## *Disposal*

At the end of its working life, do not throw this product out with your household rubbish. Electrical and electronic products contain substances that can have a detrimental effect on the environment and human health if disposed of inappropriately. Observe any local regulations regarding the disposal of electrical consumer goods and dispose of it appropriately for recycling. Contact your local authorities for advice on recycling facilities in your area.

Please keep the original packaging carton and materials in a safe place. It will help to prevent any damage if the product needs to be transported in the future. In the event it is to be disposed of, please recycle all packaging material where possible. If you require another copy of this instruction manual, please visit [www.balcobrands.com](http://www.balcobrands.com) to obtain an electronic copy.

### After Sales Support



1300 663 907



[customercare@balcobrands.com](mailto:customercare@balcobrands.com)

Model Number DY200223



**BALCO™**